

Rainbow 532 OEM

532 nm Ultrafast Fiber Laser

Rainbow 532 OEM is a high-performance 532nm (Green) picosecond fiber laser. It is comprised of our best-selling Rainbow 1064 OEM and a compact frequency-doubling module to generate green laser beam with excellent power and transverse mode stability. The laser is highly compact and well-suited for multi-purpose spectroscopy systems.

Rainbow 532 OEM has flexible parameters upon user requests. The laser operates at a wavelength of $532\pm 10\text{nm}$, and has pulse width of $<15\text{ps}$, repetition rate range between 20-50MHz and an average power $>20\text{mW}$. A fiber-pigtailed version is available as an option.

Rainbow 532 OEM is ideal for materials research such as TCSPC, SHG/THG imaging, and other nonlinear optical applications. It can meet a broad range of R&D requirements of the photonics and materials research community.

Applications :

- Radar ranging
- Fluorescence lifetime imaging
- Time resolved fluorescence

Main Specification

Laser Parameters

Operating Wavelength	532±10 nm	Average Power Stability	<0.5% RMS(12h@25°C)
Pulse width (FWHM)	< 15 ps	Beam Quality	TEM00, M2<1.3
Repetition Rate	20-50 MHz	Polarization Extinction Ratio	>20 dB
Average Power	>20 mW	Output Type	Spatially collimated output

Electrical, Environmental and Mechanical Parameters

Supply Voltage	100-240 VAC	Weight	2.5 Kg
Operational Temperature Range	15-35 °C	Dimensions	185×127×50, 175.5×111×83 mm
Operational Humidity Range	20~80 °C	Cooling	Air cooling

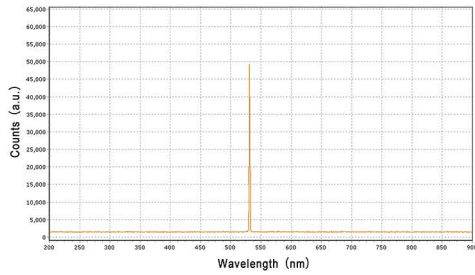


Rainbow 532 OEM

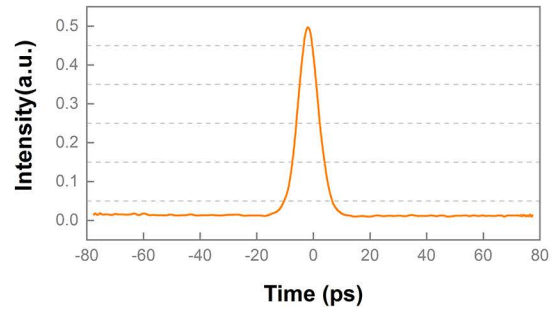
532 nm Ultrafast Fiber Laser

Test Data

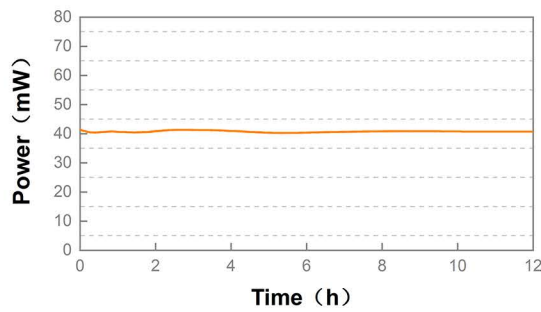
Output spectrum



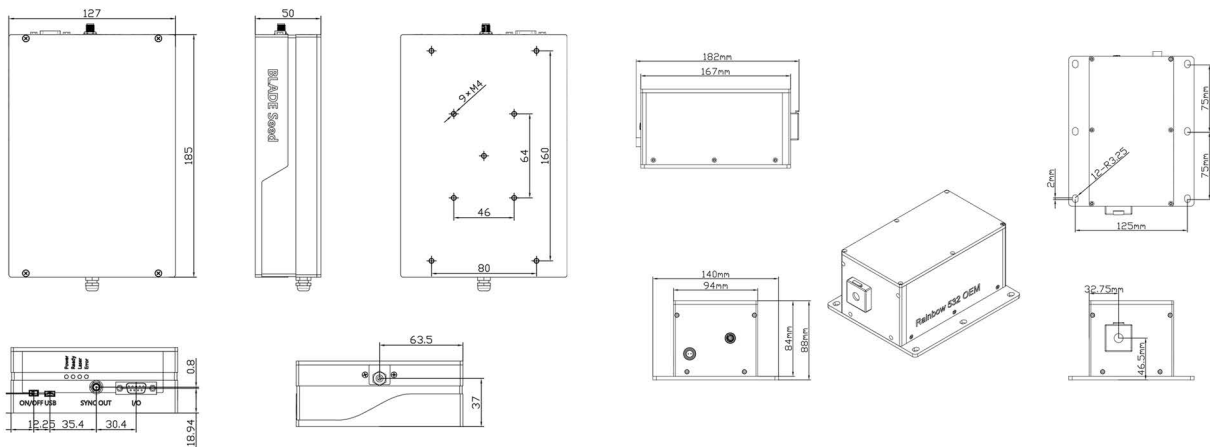
Typical output pulse width



Power Stability



Machine Drawing



诺派激光 NPI Lasers
Tel : +86-(0)25-84985077
E-mail : sales@npilasers.com

