



DALI controller



KNX gateway



■ Features

- DALI-2 multi-master application controller
- Two independent DALI Bus channels with built in DALI power supply (up to 250mA per bus)
- Connect up to 2×64 DALI ECGs/Driver and up to 2×12 DALI input devices
- Max16 scenes and group setting per channel
- LCD display, LED indicators and buttons for local operation
- Built in with 250V/5A×4 relay
- Easy installation and configuration via PC software or Web browser
- Multiple control effect based on the time event and input devices
- KNX to DALI gateway(KNX version)
- Support for DALI-2 devices with Part 207/208/301/302/303/304
- 5 years warranty

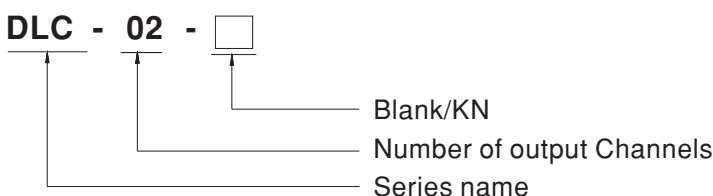
■ Applications

- Office lighting
- Smart home lighting
- Luxury villas lighting
- LED indoor lighting
- Building automation system

■ Description

DLC-02 is a multi-master application controller to obtain the information of the DALI-2 system from DALI input device and control the DALI ECGs to make a lighting effect. Devices in the DALI bus can be scan, configure and setting through the PC software. It is a simple way to install a DALI lighting system. As KNX to DALI gateway, DLC-02-KN is used to connect a digital DALI lighting system to the KNX installation. Thus, room-based lighting control is conveniently incorporated into the higher-level KNX building management system. The device transforms switch and dim commands from the connected KNX system into DALI telegrams and status information from the DALI bus into KNX telegrams. You can also easily commission the DALI via the integrated web server. For this purpose connect the DLC-02 directly to the IP network. Use a standard patch cable to connect the device to a switch, hub or router of the IP network. You can also use a WLAN access point as network coupler. This means you can commission the DALI via a portable note book, tablet PC or mobile phone.

■ Model Encoding



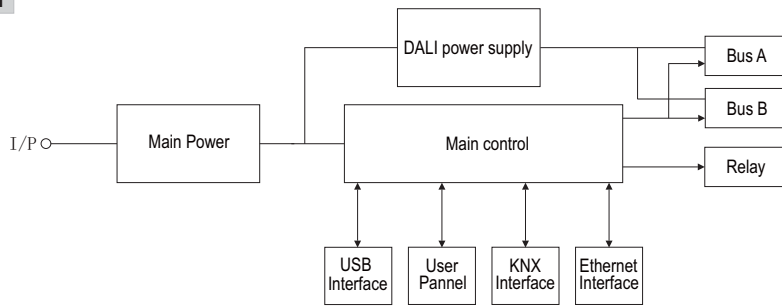
Type	Description	Note
Blank	DALI-2 controller function	In stock
KN	KNX to DALI gateway	In stock



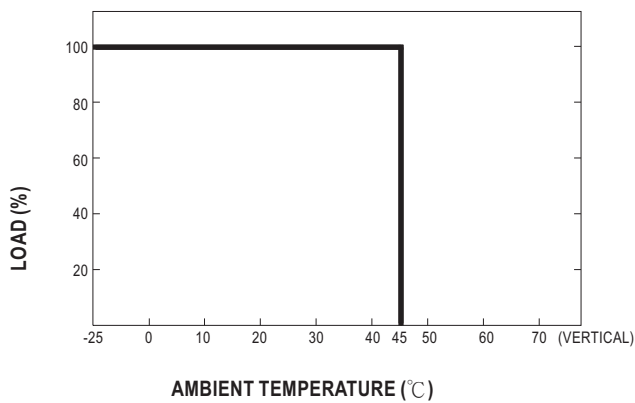
SPECIFICATION

MODEL	DLC-02- <input type="checkbox"/>	
OUTPUT	BUS VOLTAGE	Built-in DALI bus power supply; Voltage range : 2x16V
	GUARANTEED SUPPLY CURRENT	2x240mA
	MAXIMUM SUPPLY CURRENT	2x250mA
	RATED POWER	7.68W
	SETUP,RISE TIME	250ms/115VAC,50ms/230VAC
INPUT	VOLTAGE RANGE	100~305VAC, 140~430VDC,(class II)
	FREQUENCY RANGE	47~63Hz
	AC CURRENT(Typ.)	0.5A/115VAC 0.25A/230VAC
	INRUSH CURRENT(Typ.)	COLD START 45A/230VAC
PROTECTION	SHORT CIRCUIT	Short circuit delay 0.7S shutdown,Restart period 5S, Retry time 0.7S
FUNCTION	USB INTERFACE	1 USB slave connector , type-B
	DISPLAY	OLED display for easy operation
	INDICATOR	2*LED indicators for BUS voltage; 4*LED indicators for relay ;1*LED indicators for power on.
	GENERIC SETTING	Three buttons(MOVE, SET,ESC) on the front panel to set and view settings
	KNX	KNX gateway(KNX type)
	Ethernet	Control via web browser(RJ-45)
	Relay	10A/125VAC ,5A/250VAC
ENVIRONMENT	WORKING TEMP.	-25 ~ +45°C
	WORKING HUMIDITY	5 ~ 93% RH non-condensing; comply with climatic EN50090-2-2
	STORAGE TEMP., HUMIDITY	-25 ~ +70°C , 10 ~ 95% RH non-condensing
	VIBRATION	5 ~ 150Hz, each along X, Y, Z axes according to EN50090-2-2
SAFETY & EMC	SAFETY STANDARDS	DLC-02: Compliance to BS EN/EN61347-1, BS EN/EN61347-2-11
		DLC-02-KN: Compliance to BS EN/EN63044-1, BS EN/EN63044-3
	DALI STANDARDS	Compliance to BS EN/EN62368-101,BS EN/EN62386-103
	EMC EMISSION	DLC-02: Compliance to BS EN/EN55015,Harmonic current class A
		DLC-02-KN: Compliance to BS EN/EN63044-5-2, BS EN/EN63044-5-3(BS EN/EN50491-5-2/3)
EMC IMMUNITY	DLC-02: Compliance to BS EN/EN61547	
	DLC-02-KN: Compliance to BS EN/EN63044-5-2, BS EN/EN63044-5-3(BS EN/EN50491-5-2/3)	
OTHERS	DIMENSION	144*90*58.3mm (L*W*H)
	DIN RAIL MOUNTING	35 mm rail ; 8 units wide
	ENCLOSURE MATERIAL	ABS-V0
NOTE	1. All parameters NOT specially mentioned are measured at 230VAC input and 25°C of ambient temperature. 2. Maximum allowable DALI driver is 64 per channel. 3. The maximum allowable input device depends on the connected DALI drivers and the current requirement of input device. For example , if a 64 ECG is connected, the maximum driver current available in the DALI bus is 250mA-(2mA×64)=122mA. If the specific power consumption of an input device is 10mA then the maximum of input device should be 12 pcs. 4. The devices may be operated only up to 2000m(6500ft). ※ Product Liability Disclaimer : For detailed information, please refer to https://www.meanwell.com/serviceDisclaimer.aspx	

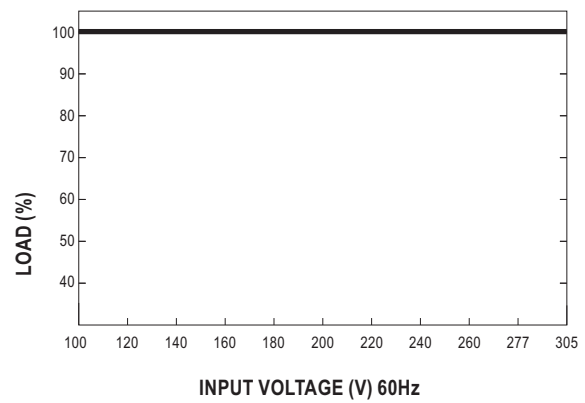
Block Diagram



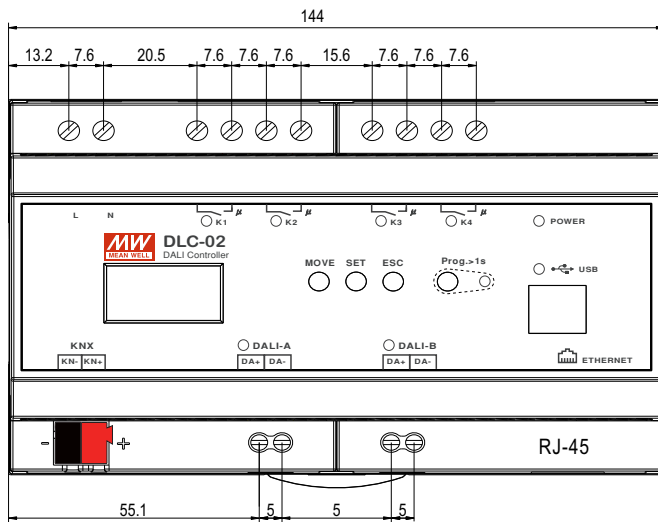
Derating Curve



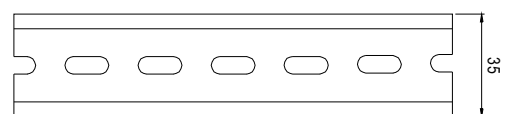
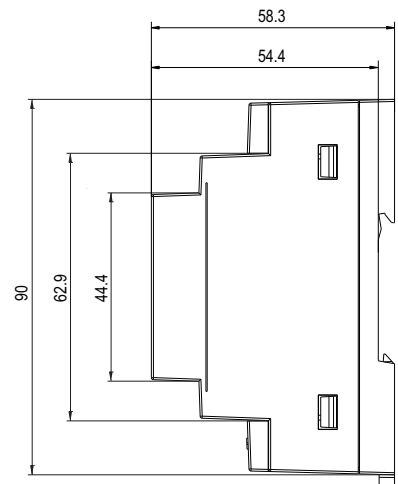
Static Characteristics



Mechanical Specification



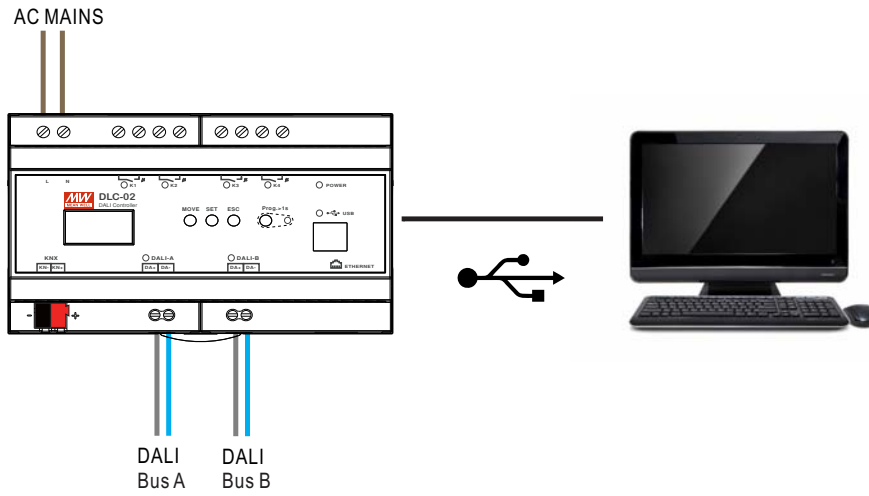
Case No. Unit:mm



ADMISSIBLE DIN-RAIL: TS35/7.5 OR TS35/15

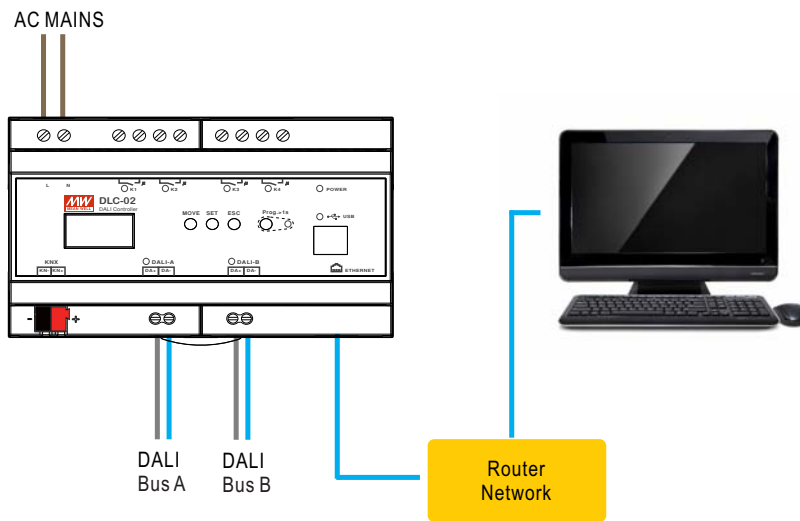
Program Setting

● **Comission through PC soft ware**

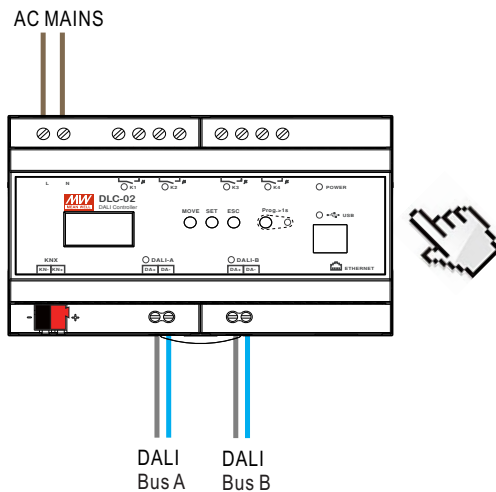


Soft ware provide by MEANWELL

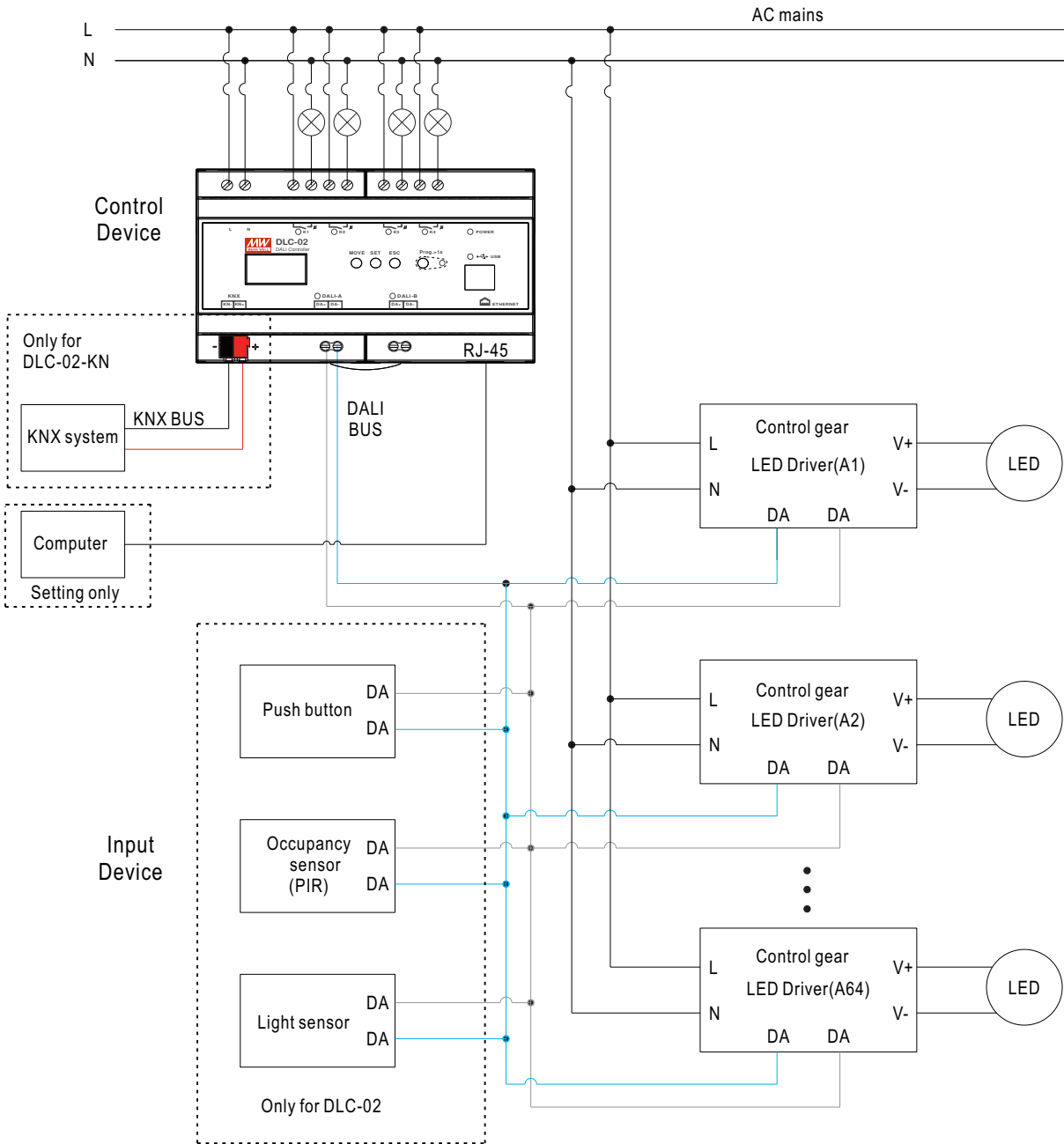
● **Commissioning the DLC-02 via website**



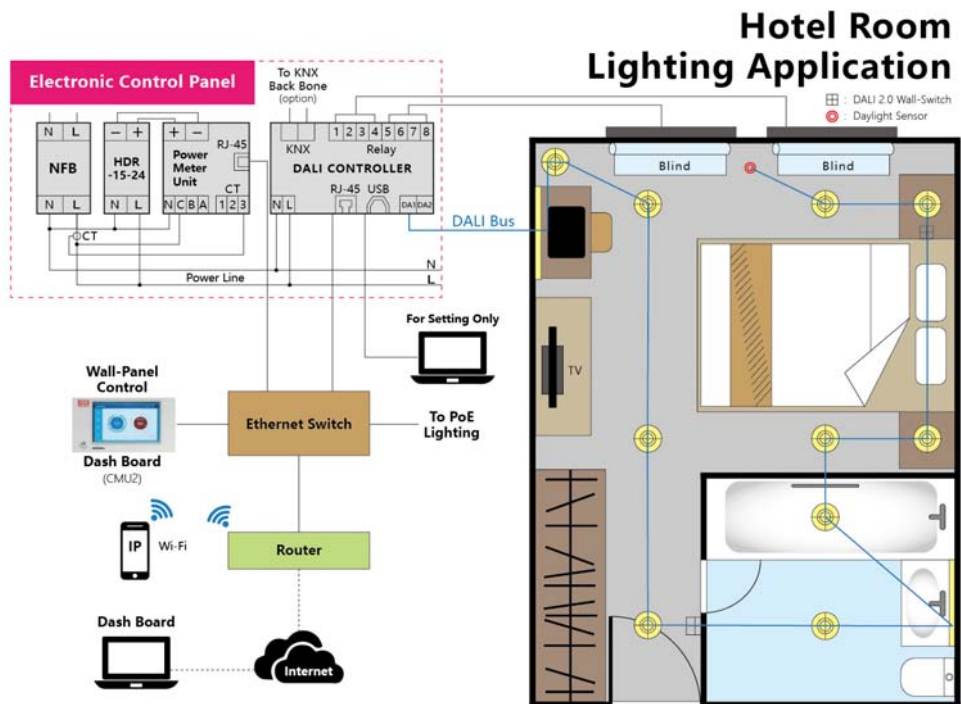
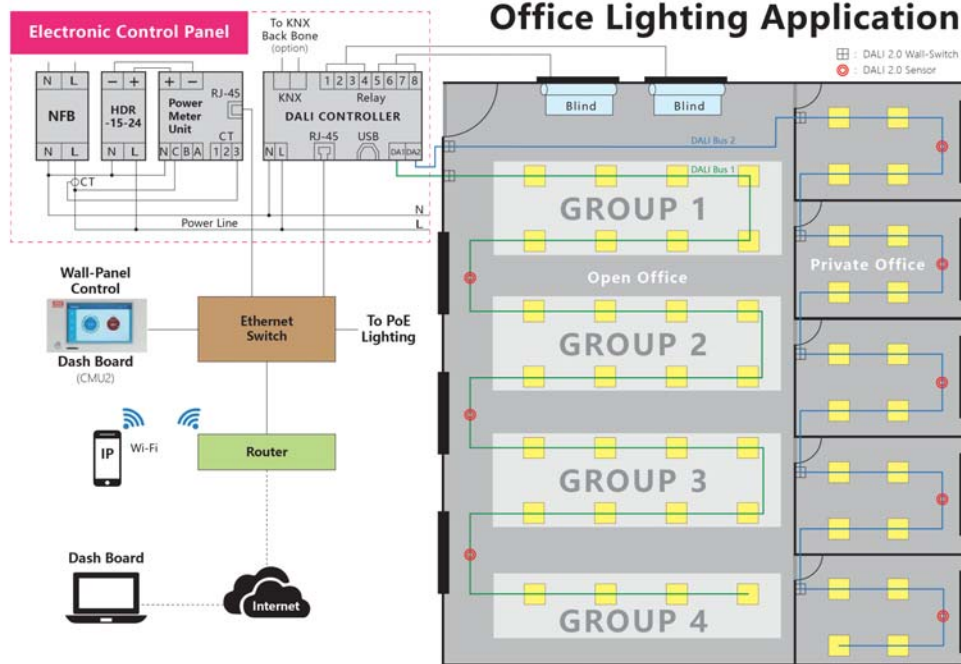
● **Local setting**



■ Installation Diagram



Digital Light Application



Recommended Screwdriver, Wire and Torque Setting

1. Screwdriver(Width*Thick): Slotted screwdriver 2.5*0.4~3.5*0.6
2. Wire: 1~2.5mm² solid core or 1~2.5mm² finely stranded
3. Torque: 0.8Nm

Installation Manual

Please refer to : <http://www.meanwell.com/manual.html>

Configuration and Commissioning

The application program(data base) for ETS can be downloaded via <http://www.meanwell.com/productCatalog.aspx>