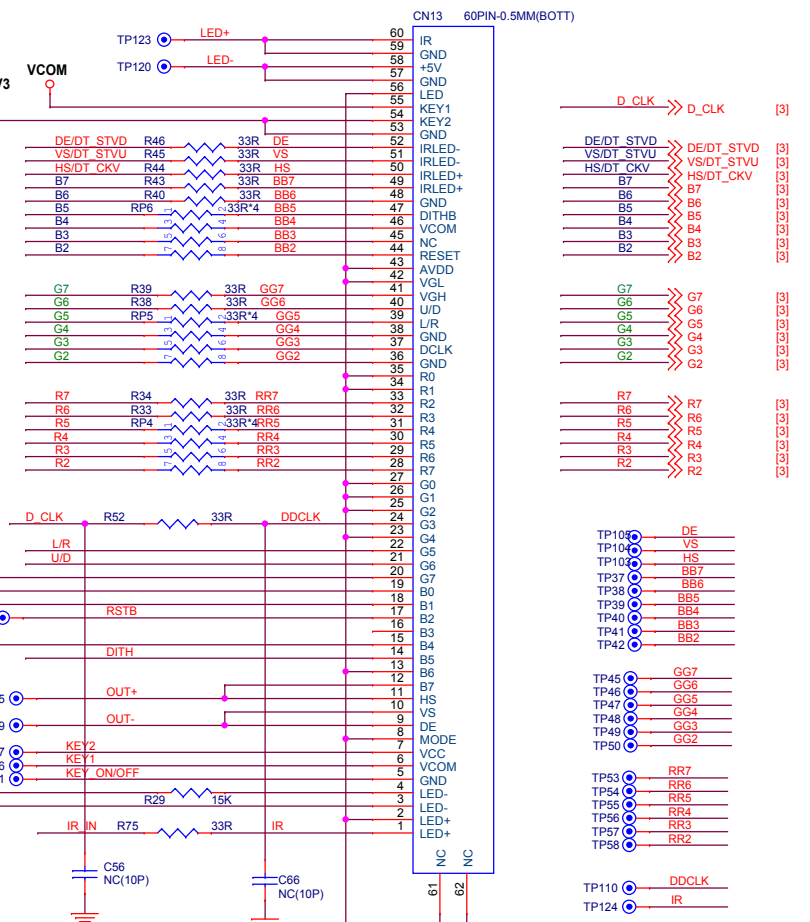
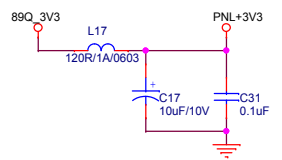
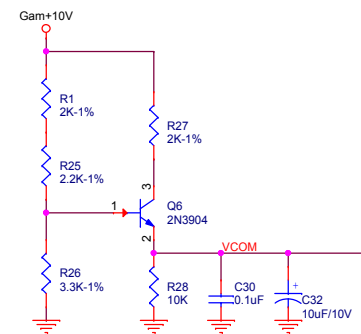
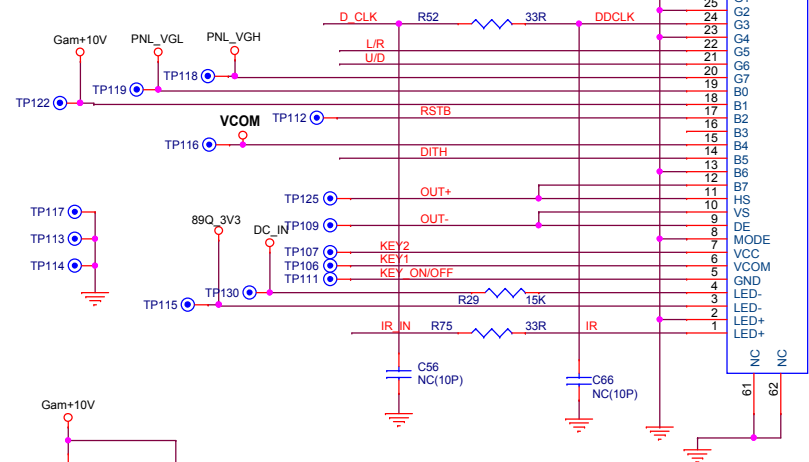
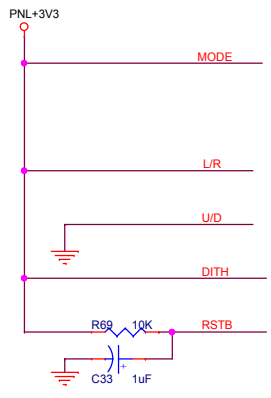
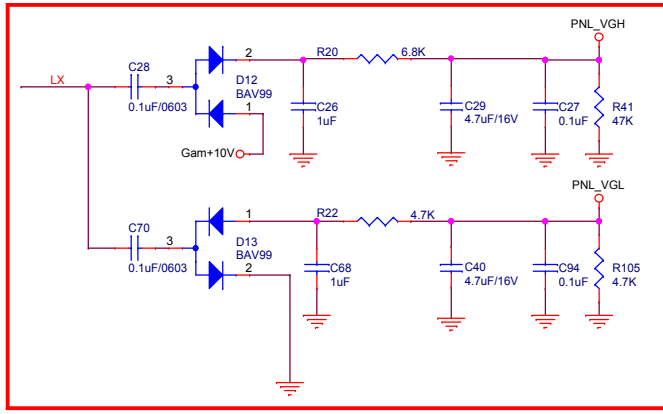
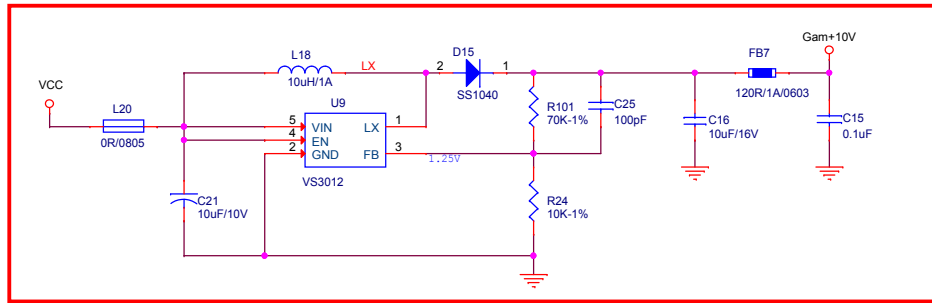
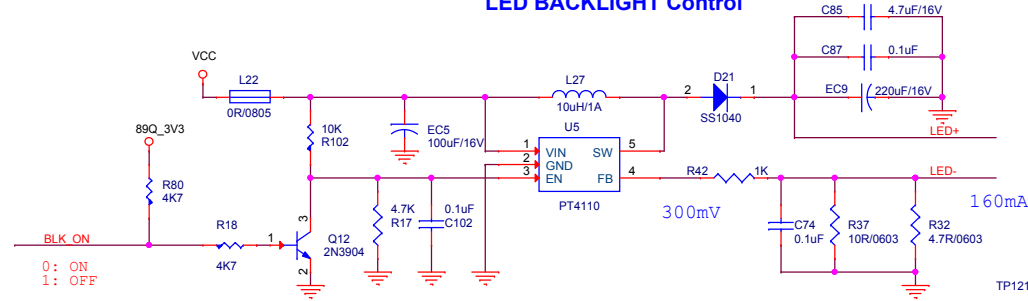


LED BACKLIGHT Control



- D CLK >>> D_CLK [3]
- DE/DT_STVD >>> DE/DT_STVD [3]
- VS/DT_STVD >>> VS/DT_STVD [3]
- HS/DT_CKV >>> HS/DT_CKV [3]
- B7 >>> B7 [3]
- B6 >>> B6 [3]
- B5 >>> B5 [3]
- B4 >>> B4 [3]
- B3 >>> B3 [3]
- B2 >>> B2 [3]
- G7 >>> G7 [3]
- G6 >>> G6 [3]
- G5 >>> G5 [3]
- G4 >>> G4 [3]
- G3 >>> G3 [3]
- G2 >>> G2 [3]
- R7 >>> R7 [3]
- R6 >>> R6 [3]
- R5 >>> R5 [3]
- R4 >>> R4 [3]
- R3 >>> R3 [3]
- R2 >>> R2 [3]
- TP109 >>> DE [3]
- TP110 >>> VS [3]
- TP111 >>> HS [3]
- TP37 >>> BB7 [3]
- TP38 >>> BB6 [3]
- TP39 >>> BB5 [3]
- TP40 >>> BB4 [3]
- TP41 >>> BB3 [3]
- TP42 >>> BB2 [3]
- TP45 >>> GG7 [3]
- TP46 >>> GG6 [3]
- TP47 >>> GG5 [3]
- TP48 >>> GG4 [3]
- TP49 >>> GG3 [3]
- TP50 >>> GG2 [3]
- TP53 >>> RR7 [3]
- TP54 >>> RR6 [3]
- TP55 >>> RR5 [3]
- TP56 >>> RR4 [3]
- TP57 >>> RR3 [3]
- TP58 >>> RR2 [3]
- TP110 >>> DDCLK [3]
- TP124 >>> IR [3]
- KEY2 >>> KEY2 [3]
- KEY1 >>> KEY1 [3]
- BLK_ON >>> BLK_ON [3]
- IR_IN >>> IR_IN [3]
- KEY_ON/OFF >>> KEY_ON/OFF [2,3]
- OUT+ >>> OUT+ [5]
- OUT- >>> OUT- [5]